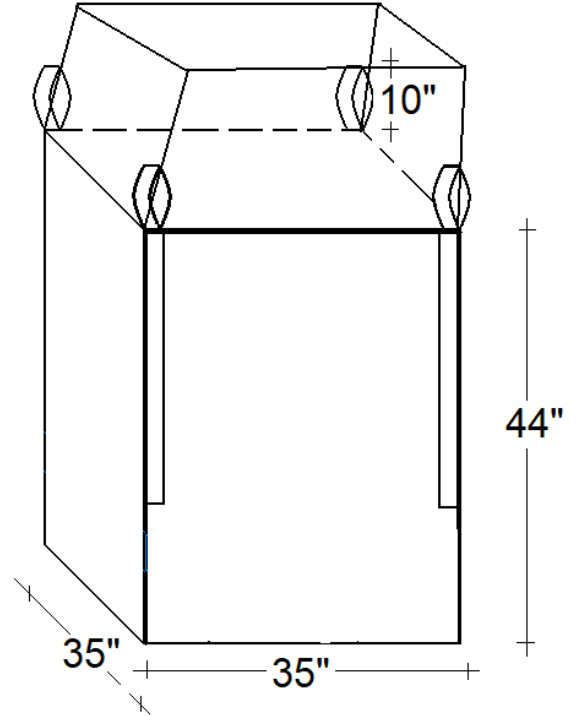


# CETCO® DEWATERING BAG

## BAG FOR DEWATERING OPERATIONS

BAG SPECIFICATIONS	
Bag Size	35" x 35" x 44"
Safe Working Load	3000 Lbs
Safety Factor	5:1
Body Fabric	6 oz uncoated fabric (UV treated & stabilized)
Construction	U-Panel
Filling	Duffle Top
Discharge	Flat Bottom
Lifting	4 - 10" Lifting Loops
Bag Weight	4.4 Lbs
Quantity Per Pallet	175



North America: 847.851.1800 | 800.527.9948 | [www.CETCO.com](http://www.CETCO.com)

UPDATED: SEPTEMBER 2024

© 2024 CETCO. IMPORTANT: The information contained herein supersedes all previous printed versions, and is believed to be accurate and reliable. For the most up-to-date information, please visit [www.CETCO.com](http://www.CETCO.com). CETCO accepts no responsibility for the results obtained through application of this product. All products are sold on the understanding that the user is solely responsible for determining their suitability for the intended use and for proper use and disposal of the product. CETCO MAKES NO WARRANTY OF MERCHANTABILITY OR SUITABILITY FOR ANY PARTICULAR PURPOSE IN CONNECTION WITH ANY SALE OF THE PRODUCTS DESCRIBED HEREIN. CETCO reserves the right to update information without notice.

